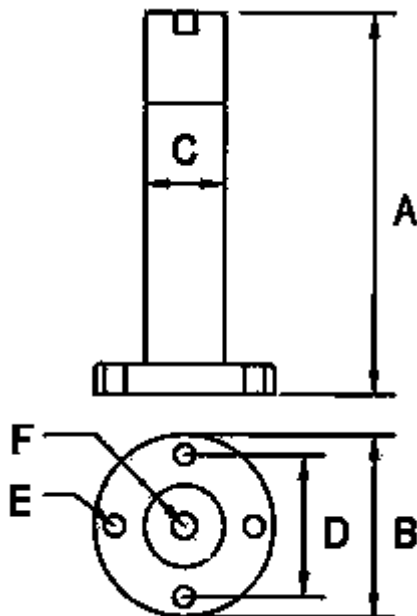


VP SERIES

- Generates linear amplifications
- Frequencies up to **7'600/min**
- Forces up to **1'700 N**
- Low noise
- Minimal consumption of absolut oil-free compressed air



The Piston Vibrator VP generates very effective, linear amplifications. His patented central guidance system permits absolutely oil-free operation. The brass piston glides virtually wear-free on a cushion of air and works against to two air cushions. As a result, the VP has a minimum consumption of air and its noise-emission level is only about 45 to 60 dBA. The VP has very compact installation dimensions and can be employed in all assembly positions. Customers are advised to install an air filter (20 my) upstream of the VP to ensure long and trouble-free operation.



type	frequency 1/min	force Nd	air L/min
VP 1	7'600	65	11
VP 2	5'550	150	12
VP 3	4'100	210	11
VP 4	6'600	490	33
VP 6	4'700	650	35
VP 8	3'800	730	32
VP 12	6'200	1'475	61
VP 14	3'200	1'540	64
VP 16	2'500	1'680	58

type	A mm	B mm	C mm	D mm	E mm	F inch	G mm
VP 1	95						
VP 2	115	45	20	34	5.5	1/8"	7
VP 3	135						
VP 4	125						
VP 6	155	60	30	48	6.5	1/8"	8
VP 8	185						
VP 12	130						
VP 14	170	80	45	65	6.5	1/4"	10
VP 16	210						