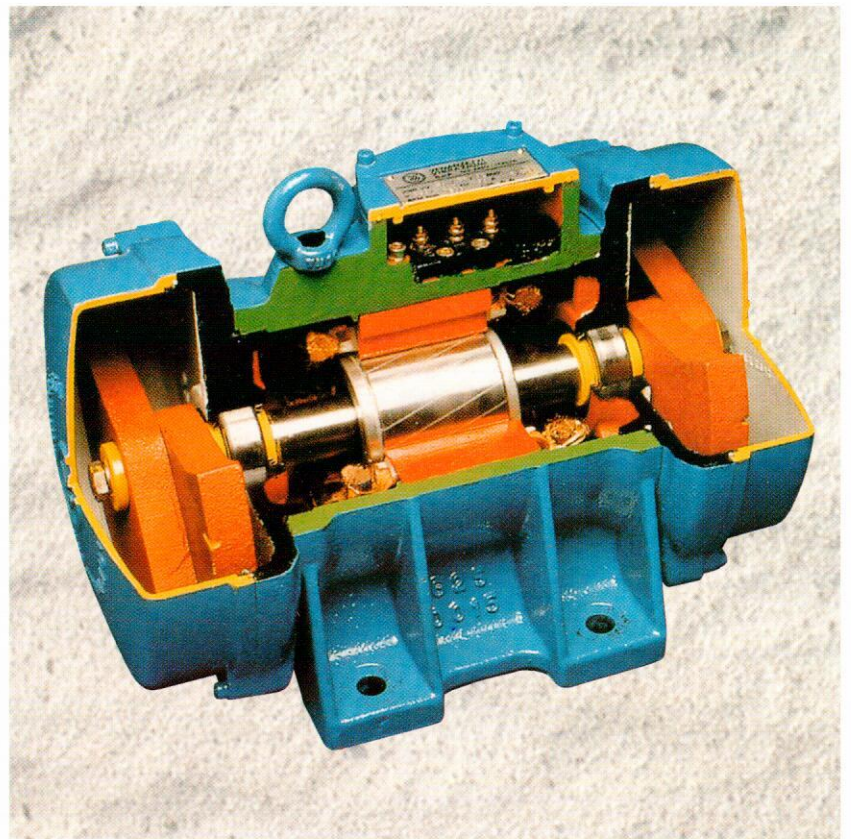


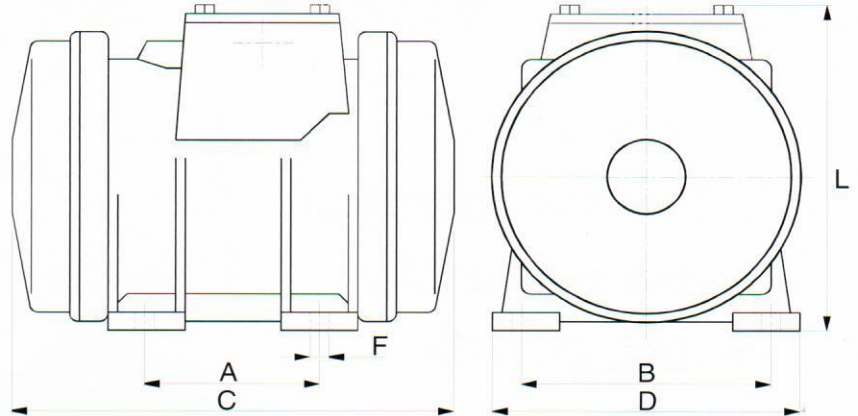
Electric Vibrator Serie EAW

- designed for continuous operation
- simple adjustable counterweights
- virtually maintenance - free
- low wear
- suitable for frequency converter
- protection class IP 65



The Vibrator Motor type EAW is an electromechanical exciter. The centrifugal force is produced by means of adjustable counterweights at the ends of the motor shaft. The EAW is designed for continuous operation under most demanding conditions with minimum need of maintenance work. The EAW is available in 2-, 4- and 6-pole design, with standard voltage 230/400 V, 50 Hz (special voltages are available). Protection class IP 65 and insulation class F are valid for all vibrator motors.

Electric Vibrator Serie EAW



type	speed 1/min		stat. moment kgmm		force N	power W	weight kg		C mm	D mm	L mm	A mm	B mm	F mm
	50Hz	60Hz	50Hz	60Hz			50Hz	60Hz						
EAW 2/01	3000	3600	15	10	1500	120	5.2	5.0	243	125	144	68	106	9.0
EAW 2/02			23	16	2300		5.6	5.3						
EAW 2/03	3000	3600	32	22	3200	275	16	15	258	155	184	90	125	8.5
EAW 2/05	3000	3600	54	37	5400	550	22	21	309	170	206	105	140	10.5
EAW 2/10			90	62	9000		23	22						
EAW 2/15	3000	3600	160	111	16000	900	34	33	356	210	231	120	170	14.5
EAW 2/25	3000	3600	240	167	24000	1600	50	48	448	230	258	140	190	16.5
EAW 2/40	3000	3600	410	285	41000	2600	85	83	525	275	299	155	225	20.5
EAW 4/01	1500	1800	23	16	570	90	5.6	5.3	243	125	144	68	106	9.0
EAW 4/02			32	23	800		5.9	5.6						
EAW 4/03	1500	1800	69	47	1700	100	16	15	258	155	184	90	125	8.5
EAW 4/04	1500	1800	146	100	3600	220	24	23	309	170	206	105	140	10.5
EAW 4/08	1500	1800	308	211	7600	470	37	35	356	210	231	120	170	14.5
EAW 4/15	1500	1800	607	417	15000	920	55	52	448	230	258	140	190	16.5
EAW 4/27	1500	1800	1134	778	28000	1720	93	88	525	275	299	155	225	20.5
EAW 4/50	1500	1800	2025	1390	50000	3070	167	160	608	340	349	180	280	24.5
EAW 4/80	1500	1800	3300	2290	82500	5070	300	290	730	420	400	220	340	27.5
EAW 6/10	1000	1200	909	625	10000	610	61	56	448	230	258	140	190	16.5
EAW 6/20	1000	1200	1636	1130	18000	1100	102	95	525	275	299	155	225	20.5
EAW 6/35	1000	1200	3000	2060	33000	2030	178	168	608	340	349	180	280	24.5
EAW 6/55	1000	1200	5000	3440	55000	3380	320	305	730	420	400	220	340	27.5
EAW 6/100	1000	1200	9100	-	99000	6080	615	-	980	500	500	134x2	420	27.5
EAW 6/130	1000	1200	12000	8250	132000	7500	650	623						

working moment = 2 x static moment