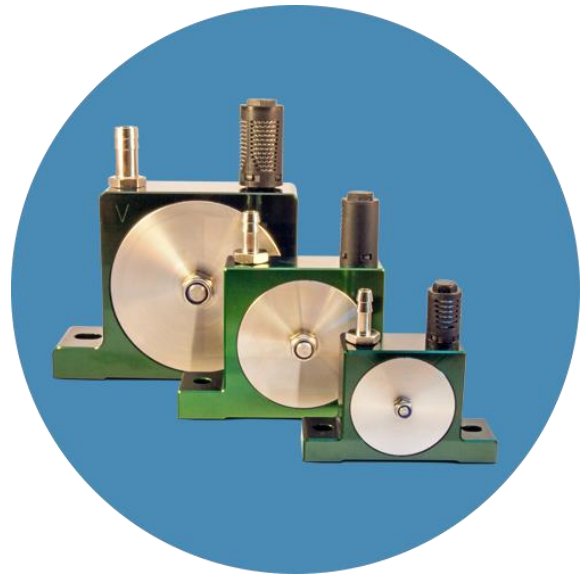


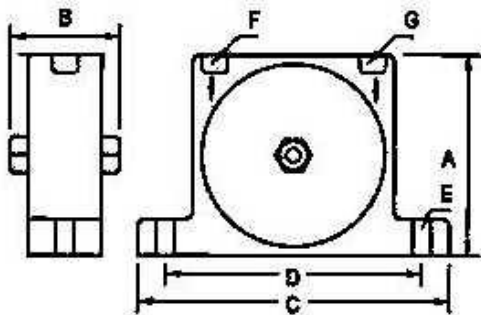
PNEUMATIC BALL VIBRATOR

VK SERIES

- Generates rotatif amplifications with fine amplitudes
- Frequencies up to **35'000/min**
- Centrifugal Forces up to **5'250 N**
- Fast start
- Operation with either oil-free or slightly oiled compressed air



The Ball Vibrator VK is equipped with a ball, which rotates on ground raceways and generates high frequencies and fine amplitudes. The ball as well as the drop-forged and ground raceways are hardened to 62 HRC and attain very high running times as a result of the low wear. A dirty environment or slightly contaminated compressed air, however, does not have any effect on its functional operation. The VK can be operated in the vertical position with either oil-free or slightly oiled compressed air.



type	frequency 1/min	force Nd	air L/min
VK 8	35'000	440	175
VK 10	30'000	520	175
VK 14	25'000	959	200
VK 16	20'000	1'280	225
VK 22	15'500	2'160	275
VK 26	14'200	4'370	380
VK 30	13'000	5'250	500

type	A mm	B mm	C mm	D mm	E mm	F inch	G inch
VK 8	55	36	90	68-73	7	1/8"	1/8"
VK 10							
VK 14							
VK 16	80	49	128	104	9	1/4"	1/4"
VK 22							
VK 26	110	63	170	130-140	11	3/8"	3/8"
VK 30							