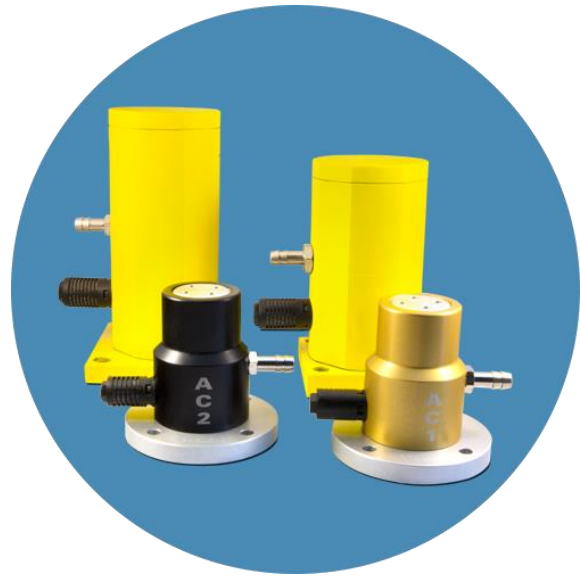


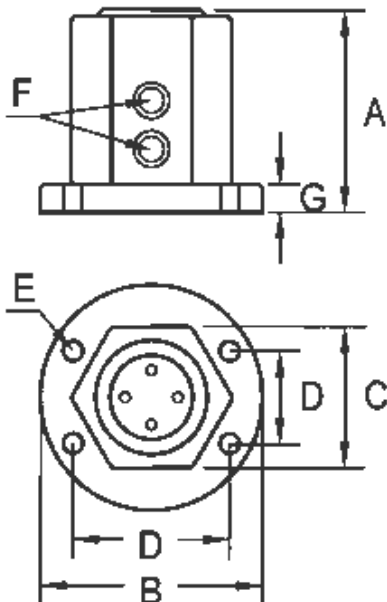
PNEUMATIC PISTON VIBRATOR

AC SERIES

- Generates linear amplifications
- Frequencies up to **7'000/min**
- Forces up to **1'360 N**
- Generates large momentum
- Operation with slightly oiled compressed air



The Piston Vibrator AC generates very effective, linear amplifications and large momentum. The frequency is infinitely variable by regulating the pressure. This results in a broad spectrum of vibration. The AC has very compact installation dimensions and can be employed in all assembly positions. A dirty environment or slightly contaminated compressed air does not have any effect on its functional operation. The AC is maintenance-free and operates with slightly oiled compressed air.



| type | frequency 1/min | force Nd | air L/min |
|------|-----------------|----------|-----------|
| AC 1 | 7'000 | 280 | 95 |
| AC 2 | 6'200 | 420 | 130 |
| AC 4 | 3'500 | 1'050 | 280 |
| AC 5 | 2'600 | 1'360 | 330 |

| type | A mm | B mm | C mm | D mm | E mm | F inch | G mm |
|------|------|------|------|-------|------|--------|------|
| AC 1 | 72 | 80 | 50 | 57x33 | 6.5 | 1/8" | 10 |
| AC 2 | 77 | | | | | | |
| AC 4 | 122 | 110 | 80 | 83x48 | 8.5 | 1/4" | 12 |
| AC 5 | 152 | | | | | | |