

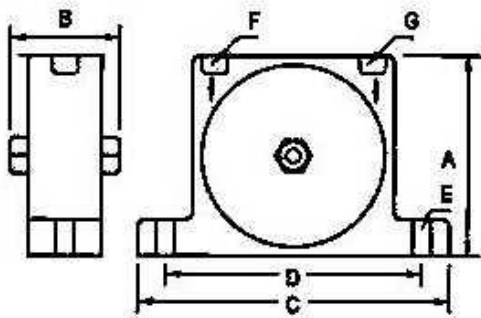
PNEUMATIC ROLLER VIBRATOR

# VR SERIES

- Generates rotatif amplifications with large amplitudes
- Frequencies up to **40'000/min**
- Centrifugal Forces up to **9'730 N**
- No after running
- Operation with slightly oiled compressed air



The Roller Vibrator VR has a steel roller, which rotates on ground roller paths and generates high centrifugal forces and large amplitudes. The steel roller as well as the drop-forged and ground roller paths are hardened to 62 HRC and, as a result of their moderate wear, attain high running times. A dirty environment or slightly contaminated compressed air, however, does not have any effect on its functional operation. The VR is self-cleaning, maintenance-free and operates in the vertical position with slightly oiled compressed air.



type	frequency 1/min	force Nd	air L/min
VR 17	40'000	1'690	200
VR 29	38'000	2'910	250
VR 47	29'000	4'740	325
VR 78	26'000	7'850	550
VR 97	18'000	9'730	850

type	A mm	B mm	C mm	D mm	E mm	F inch	G inch
VR 17	55	36	90	68-	7	1/8"	1/8"
VR 29				73			
VR 47	80	49	128	104	9	1/4"	1/4"
VR 78				130-			
VR 97	110	63	170	140	11	3/8"	3/8"